

Quick Installation Guide

Indoor/Outdoor Access Point

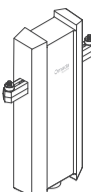














Scan for
EAP Start Guide

Note: EAP625-Outdoor HD is used as an example throughout the guide. Images may differ from your actual product.

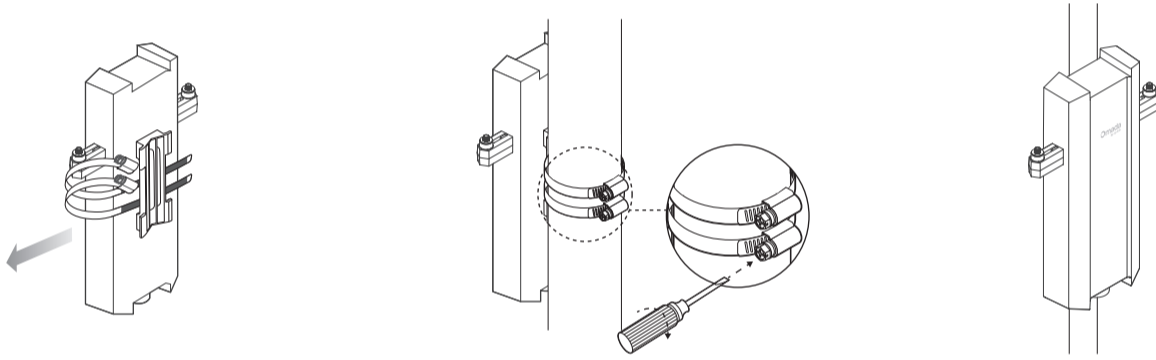
©2026 TP-Link 7100003047 REV2.1.1

Package Contents

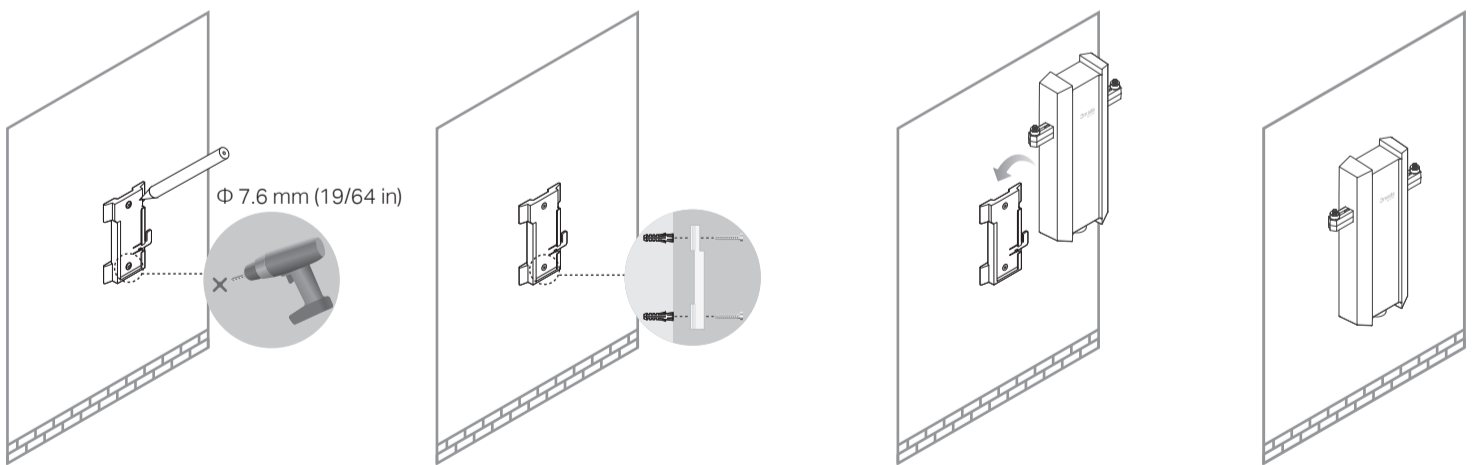
 1×	 2×	 1×	 1×
Waterproof Kit			
 1×	 1×	 1×	 1×
 1×			
Mounting Kit			
 1×	 2×	 2×	 2×

Installation

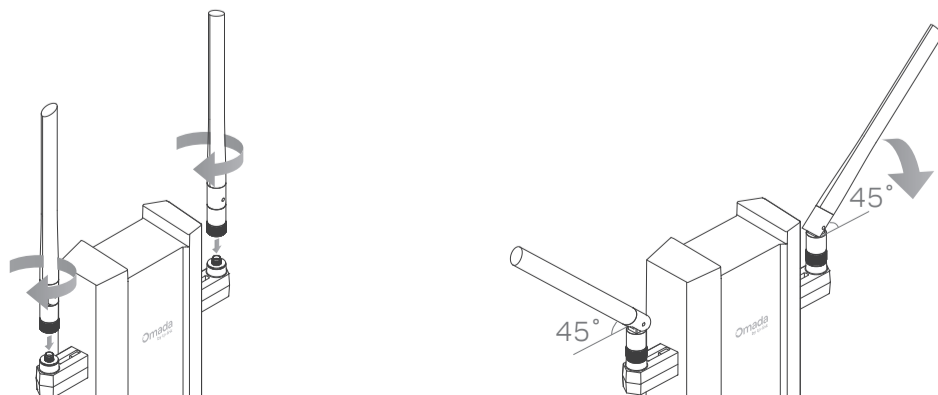
Option 1: Pole Mounting



Option 2: Wall Mounting

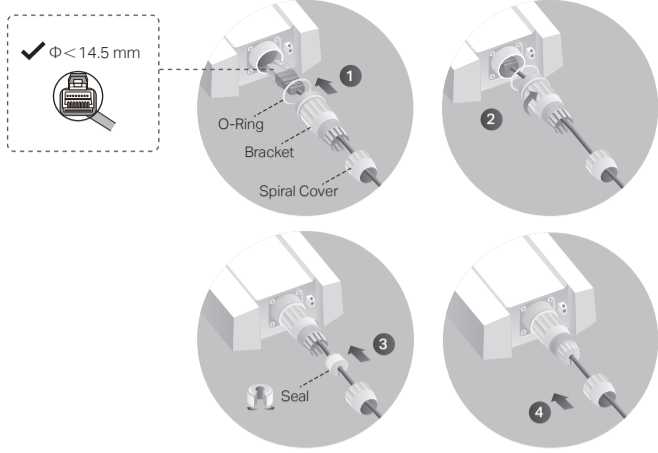


Antenna Installation



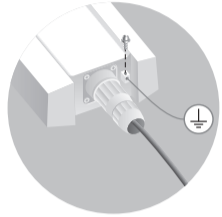
Connection

1. Waterproofing



Note: To ensure waterproofing, choose the proper seal according to the type and diameter of the Ethernet cable.

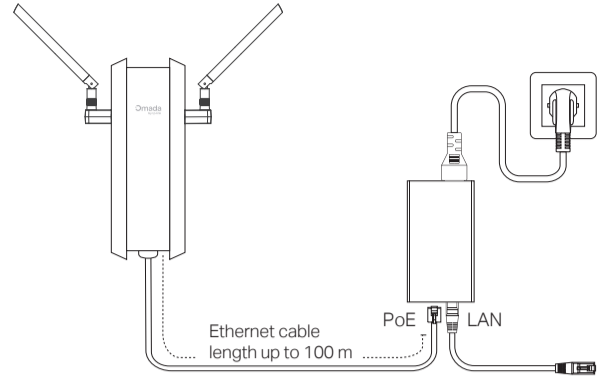
2. Grounding



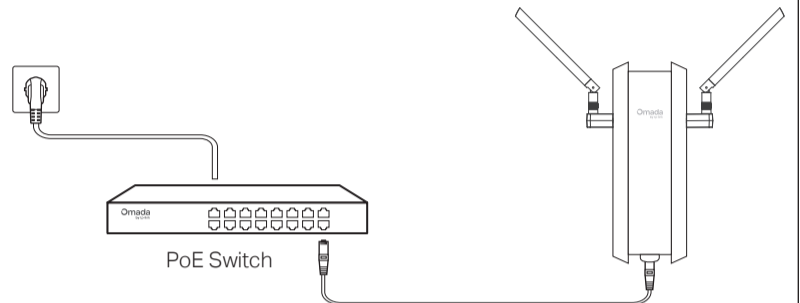
Note: For lightning and ESD protection, connect the EAP's grounding terminal to grounding facilities using a proper grounding wire, which should meet local installation requirements.

3. Power On

Option 1: Via Passive PoE Adapter



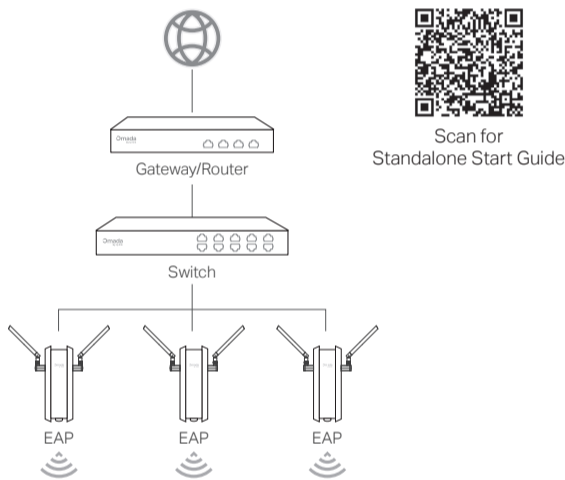
Option 2: Via PoE Switch



Configuration

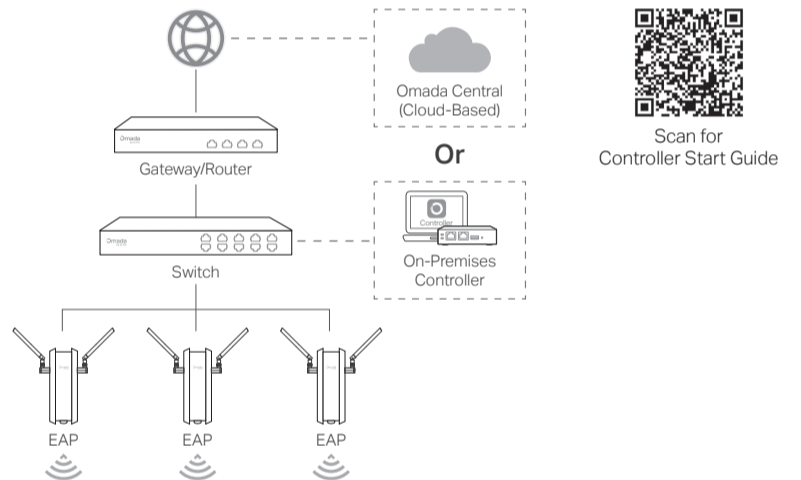
Option 1: Standalone Mode

Configure and manage each EAP on its standalone page.



Option 2: Controller Mode

Configure and manage EAPs (and other Omada devices) centrally on an Omada Controller.



Omada App

With the TP-Link Omada app, you can access and manage your Omada devices at a local site or remotely with a tap of your phone.



Scan for Omada App

More Configurations

For more configurations, refer to the User Guides of the Omada Controller and Omada Access Points at: <https://support.omadanetworks.com/document/>



Safety Information

- Keep the device away from fire or hot environments. DO NOT immerse in water or any other liquid.
- Do not attempt to disassemble, repair, or modify the device. If you need service, please contact us.
- Do not use the device where wireless devices are not allowed.
- Do not use any other chargers than those recommended.
- This EAP can be powered only by equipment that complies with Power Source Class 2 (PS2) or Limited Power Source (LPS) defined in the standard of IEC 62368-1.
- For applicable power supplies see user instructions. Refer to the User Manual on the product support page.

TP-Link hereby declares that the Access Point is in compliance with the essential requirements and other relevant provisions of directives 2014/53/EU, 2009/125/EC, 2011/65/EU, and (EU)2015/863. The original EU Declaration of Conformity may be found at <https://www.tp-link.com/en/support/ce/>. TP-Link hereby declares that the Access Point is in compliance with the essential requirements and other relevant provisions of the Radio Equipment Regulations 2017. The original UK Declaration of Conformity may be found at <https://www.tp-link.com/support/ukca/>

Attention: In EU member states, EFTA countries and Northern Ireland, the operation in the frequency range 5150MHz-5350MHz is only permitted indoors.

Attention: In Great Britain, the operation in the frequency range 5150MHz - 5350MHz is only permitted indoors.

For the EAP Controller, go to the **Devices** page and select the desired EAP to specify the channel. For the web browser, go to **Wireless > Wireless Settings** to specify the channel.

	AT	BE	BG	CH	CY	CZ	DE	DK		UK
	EE	EL	ES	FI	FR	HR	HU	IE		
	IS	IT	LI	LT	LU	LV	MT	NL		
	NO	PL	PT	RO	SE	SI	SK	UK(NI)		

More Resources

Main Site	https://www.omadanetworks.com/
Video Center	https://support.omadanetworks.com/video/
Documents	https://support.omadanetworks.com/document/
Product Support	https://support.omadanetworks.com/product/
Technical Support	https://support.omadanetworks.com/contact-support/

Warranty

For details on the warranty period, policy, and procedures, visit <https://support.omadanetworks.com/warranty-services/>.

Support

For technical support, user guides, and other information, please visit <https://support.omadanetworks.com/>, or simply scan the QR code.

